

## 说 明

AXQ1-190 汽油电焊机组是我公司综合国际、国内同类机型的特点、优点开发而成的新机型。此种机组采用 190F-BV 型汽油机为动力，具有动力强劲、油耗低、噪声小、操作简单、移动轻便等特点；外观设计新颖大方，不落俗套。

《AXQ1-190 型汽油电焊机组图册》是我公司为了方便用户精心编制而成，该图册介绍了机组零部件的基本情况，如：简图、名称、数量等信息，用户订购零件时请参考本图册，若与实机组不同之处，以实机组为准。

《AXQ1-190 型汽油电焊机组图册》的所有版权属于重庆力帆内燃机有限公司，任何团体和个人不得非法翻印或复制。如有更改，恕不另行通知。

### **PREFACE**

Combined with all the specialty and advantages of the same models at home and abroad, AXQ1-190 is one of the newly gasoline welder sets developed by our Co. The set is equipped with 190F-BV gasoline engine as power. It is characterized by strong power, low fuel-consumption and noise, simple operation and easy movement as well as fashionable shape.

For the sake of customer's convenience, we carefully compile the PARTS CATALOGUE FOR AXQ1-190 GASOLINE WELDER SET, which covers the main information of parts such as name, shape, quantity, and etc. Please refer to this book when you order the parts. If any difference in the book from the actual engine status, please do as for the real.

The copyright of this catalogue belongs to Chongqing Lifan Power Co.,Ltd, any group or Individual is forbidden to reprint or copy any item from it. The catalogue is subject to change without notice.

重庆力帆内燃机有限公司

**Chongqing Lifan Power Co., Ltd.**

二〇〇八年二月 ( Feb.2008 Edition)

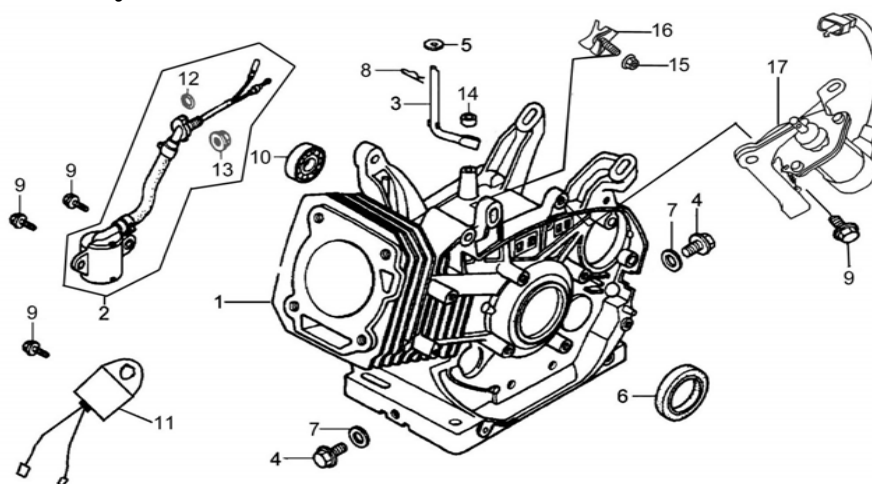
## 目 录

## CONTENTS

|      |  |    |
|------|--|----|
| E-01 | 曲轴箱总成 .....  | 1  |
|      | Crankcase Assy                                       |    |
| E-02 | 曲轴箱盖组件 .....   | 2  |
|      | Crankcase cover Assy                                 |    |
| E-03 | 气缸头、气缸头盖总成 .....                                     | 4  |
|      | Cylinder head & Cylinder head cover Assy             |    |
| E-04 | 曲轴、活塞连杆、平衡轴总成 .....                                  | 6  |
|      | Crankshaft, Piston, Connecting rod & Balancing shaft |    |
| E-05 | 凸轮轴装配组合、气门摇臂组合 .....                                 | 7  |
|      | Combination of camshaft & Valve rocker               |    |
| E-06 | 化油器总成 .....  | 9  |
|      | Carburetor Assy                                      |    |
| E-07 | 反冲起动机部件 .....  | 13 |
|      | Kick starter   |    |
| E-08 | 调速控制系统 .....   | 14 |
|      | <b>Regulating control system</b>                     |    |

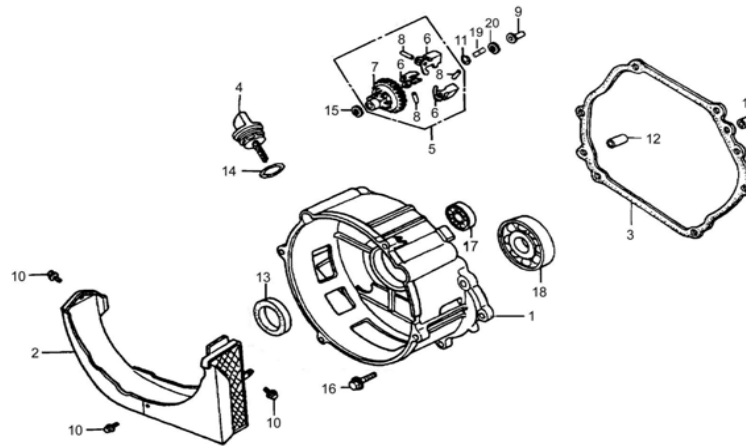
|      |                                  |    |
|------|----------------------------------|----|
| E-09 | 飞轮部件 .....                       | 15 |
|      | <b>Flywheel</b>                  |    |
| E-10 | 点火线圈组件 .....                     | 16 |
|      | <b>Ignition coil</b>             |    |
| E-11 | 空气滤清器总成 .....                    | 17 |
|      | <b>Air cleaner Assy</b>          |    |
| E-12 | 消声器组件 .....                      | 18 |
|      | <b>Muffler Assy</b>              |    |
| E-13 | 燃油箱组成 .....                      | 19 |
|      | <b>Fuel tank Assy</b>            |    |
| G-01 | 控制面板部件 .....                     | 20 |
|      | <b>Control panel</b>             |    |
| G-02 | 发电机、整流盘 .....                    | 24 |
|      | <b>Generator &amp; Rectifier</b> |    |
| G-03 | 机架、电抗器 .....                     | 27 |
|      | <b>Frame &amp; Reactor</b>       |    |
| G-04 | 车轮组件 .....                       | 29 |
|      | <b>Wheel kit Assy</b>            |    |
| G-05 | 贴花 .....                         | 31 |
|      | <b>Emblem</b>                    |    |

### E-01 曲轴箱总成 Crankcase Assy



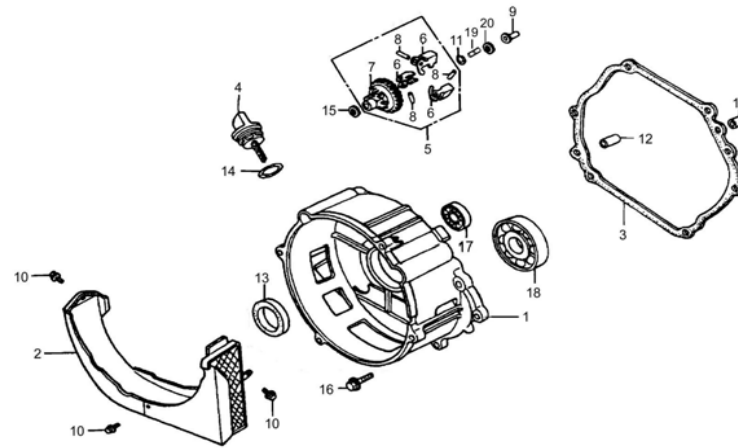
| 序号<br>S/N | 零部件代号<br>Part No. | 零部件名称        | Description                   | 数量<br>Quantity | 备注<br>Remark |
|-----------|-------------------|--------------|-------------------------------|----------------|--------------|
| 1         | 11100             | 曲轴箱组合        | Crankcase                     | 1              |              |
| 2         | 37810/173F        | 机油传感器        | Oil sensor                    | 1              |              |
| 3         | 26311/182F        | 调速摆杆         | Regulating sway bar           | 1              |              |
| 4         | 11212/173F        | 放油螺塞         | Drain plug                    | 2              |              |
| 5         | 26329/173F        | 调速摆杆垫片       | Washer                        | 1              |              |
| 6         | 13180/182F        | 曲轴油封         | Oil seal, crankshaft          | 1              |              |
| 7         | 11213/173F        | 放油螺塞垫圈       | Washer                        | 2              |              |
| 8         | 26321/173F        | 调速摆杆锁夹       | Split pin                     | 1              |              |
| 9         | GB5787-86         | 螺栓 M6×12     | Bolt M6×12                    | 4              |              |
| 10        | GB276-89          | 轴承 6202      | Bearing 6202                  | 1              |              |
| 11        | 37850/168F        | 单向导通器        | Diode                         | 1              |              |
| 12        | GB3452. 1-92      | O型密封圈 13×1.4 | O-ring 13×1.4                 | 1              |              |
| 13        | GB6177-86         | 螺母 M10       | Nut M10                       | 1              |              |
| 14        | 26390/182F        | 调速摆杆油封       | Oil seal, regulating sway bar | 1              |              |
| 15        | GB6177-86         | 螺母 M8        | Nut M8                        | 1              |              |
| 16        | 26340/188F-BV     | 支撑块          | Supporting block              | 1              |              |
| 17        | 26610/188F-BV     | 调速电磁铁        | Electromagnet                 | 1              |              |

## E-02 曲轴箱盖组件 Crankcase cover Assy



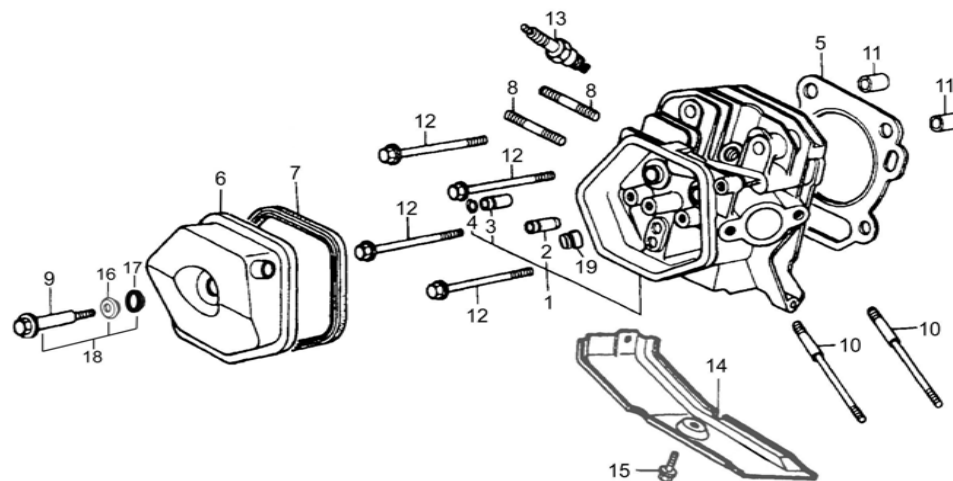
| 序号<br>Ref.No. | 零部件代号<br>Part No. | 零部件名称          | Description                | 数量<br>Quantity | 备注<br>Remark |
|---------------|-------------------|----------------|----------------------------|----------------|--------------|
| 1             | 11311/182F-AV     | 曲轴箱盖           | Crankcase cover            | 1              |              |
| 2             | 11340/182F-AV     | 曲轴箱盖挡罩         | Guard,crankcase cover      | 1              |              |
| 3             | 11119/182F        | 曲轴箱垫片          | Gasket, crankcase          | 1              |              |
| 4             | 15611/173F        | 机油尺            | Dipstick                   | 1              |              |
| 5             | 25120/182F        | 调速从动齿轮组件       | Driven gear set, regulator | 1              |              |
| 6             | 25141/182F        | 调速飞块           | Flying block               | 3              |              |
| 7             | 25121/182F        | 调速从动齿轮         | Driven gear, regulator     | 1              |              |
| 8             | 25163/173F        | 飞块销            | Pin                        | 3              |              |
| 9             | 25131/173F        | 调速滑套           | Sliding sleeve             | 1              |              |
| 10            | 31995/2GF-3       | 十字六角带盘螺栓 M5×12 | Bolt M5×12                 | 3              |              |
| 11            | 25164/173F        | 调速轴卡圈          | Snap ring                  | 1              |              |
| 12            | 11118/173F        | 定位销            | Set pin                    | 2              |              |
| 13            | 13180/182F        | 曲轴油封           | Oil seal , crankshaft      | 1              |              |
| 14            | 15612/173F        | 机油尺密封圈         | Seal                       | 1              |              |
| 15            | 25165/173F        | 调速从动齿轮垫片       | Washer, driven gear        | 1              |              |
| 16            | GB5787-86         | 螺栓 M8×40       | Bolt M8×40                 | 7              |              |
| 17            | GB276-89          | 轴承 6202        | Bearing 6202               | 1              |              |
| 18            | GB276-89          | 轴承 6207        | Bearing 6207               | 1              |              |

**E-02 曲轴箱盖组件 Crankcase cover Assy**



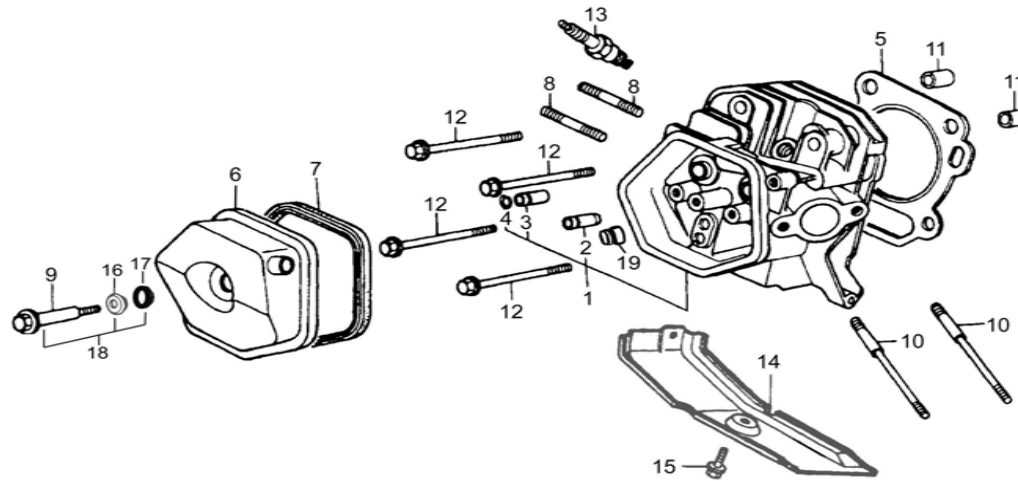
| 序号<br>Ref.No. | 零部件代号<br>Part No. | 零部件名称  | Description            | 数量<br>Quantity | 备注<br>Remark |
|---------------|-------------------|--------|------------------------|----------------|--------------|
| 19            | 25151/173F        | 调速轴    | Regulating shaft       | 1              |              |
| 20            | 25132/173F        | 调速滑套垫片 | Washer, sliding sleeve | 1              |              |

### E-03 气缸头、气缸头盖总成 Cylinder head & Cylinder head cover Assy



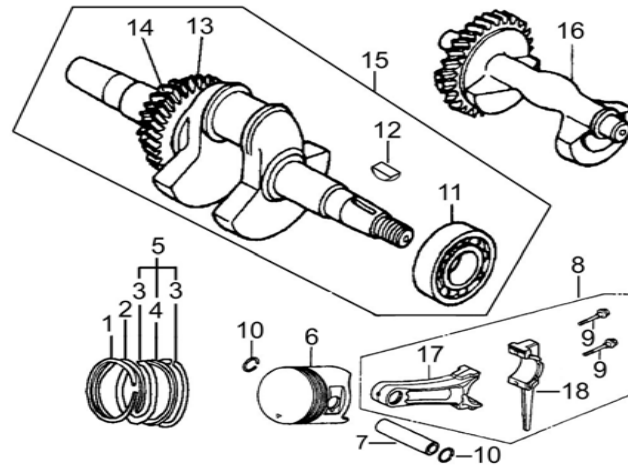
| 序号<br>S/N | 零部件代号<br>Part No. | 零部件名称             | Description                 | 数量<br>Quantity | 备注<br>Remark |
|-----------|-------------------|-------------------|-----------------------------|----------------|--------------|
| 1         | 12210/190F        | 气缸头组合             | Cylinder head Assy          | 1              |              |
| 2         | 12214/173F        | 进气门导管             | Intake valve guide          | 1              |              |
| 3         | 12215/173F        | 排气门导管             | Exhaust valve guide         | 1              |              |
| 4         | 12219/173F        | 排气门导管卡圈           | Circip                      | 1              |              |
| 5         | 12220/190F        | 气缸头密封垫            | Gasket, cylinder head       | 1              |              |
| 6         | 12310/173F        | 气缸头盖组合            | Cylinder head cover Assy    | 1              |              |
| 7         | 12312/173F        | 气缸头盖密封圈           | Gasket, cylinder head cover | 1              |              |
| 8         | 12253/173F-AV     | 排气口双头螺栓 M8×35     | Stud M8×35                  | 2              |              |
| 9         | 12411/173F        | 气缸头盖螺栓            | Bolt                        | 1              |              |
| 10        | 12252/182F-AV     | 进气口双头螺栓 M6×M8×106 | Stud M6×M8×106              | 2              |              |
| 11        | 12218/173F        | 气缸头定位销            | Set pin                     | 2              |              |
| 12        | 12256/173F        | 气缸头螺栓             | Flange bolt                 | 4              |              |
| 13        | 34200/168F        | 火花塞 F6TC          | Spark plug F6RTC            | 1              |              |
| 14        | 19721/182F        | 下导风罩              | Lead wind cover             | 1              |              |
| 15        | GB5787-86         | 螺栓 M6×12          | Bolt M6×12                  | 1              |              |
| 16        | 12412/173F        | 气缸头盖螺栓垫圈          | Washer                      | 1              |              |

**E-03 气缸头、气缸头盖总成 Cylinder head & Cylinder head cover Assy**



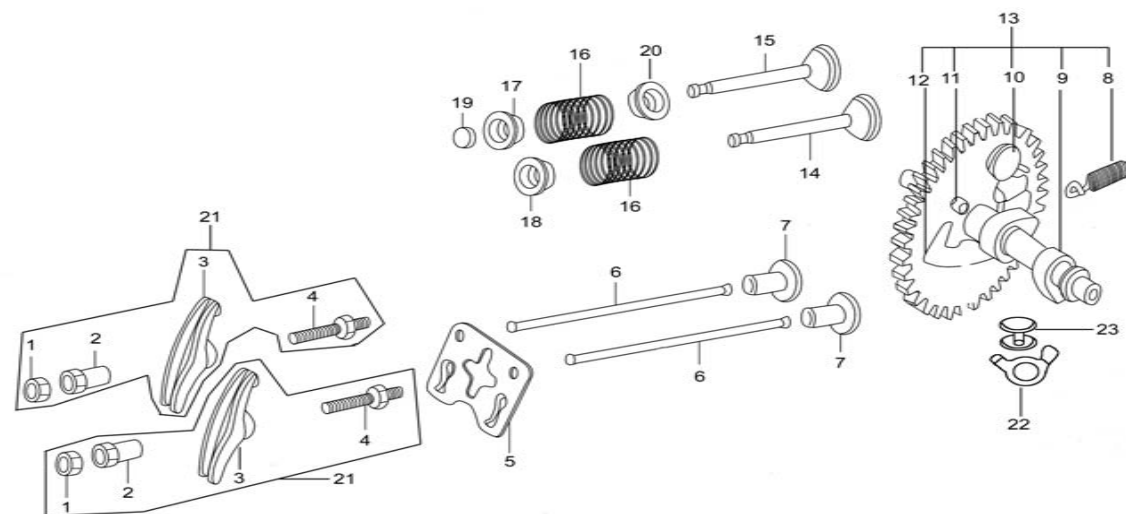
| 序号<br>S/N | 零部件代号<br>Part No. | 零部件名称    | Description          | 数量<br>Quantity | 备注<br>Remark |
|-----------|-------------------|----------|----------------------|----------------|--------------|
| 17        | 12421/173F        | 橡胶垫圈     | Rubber seal          | 1              |              |
| 18        | 12410/173F        | 气缸头盖螺栓组件 | Bolt                 | 1              |              |
| 19        | 14730/173F        | 挡油罩      | Oil seal, valve stem | 1              |              |

### E-04 曲轴、活塞连杆、平衡轴总成 Crankshaft, Piston, Connecting rod & Balancing shaft



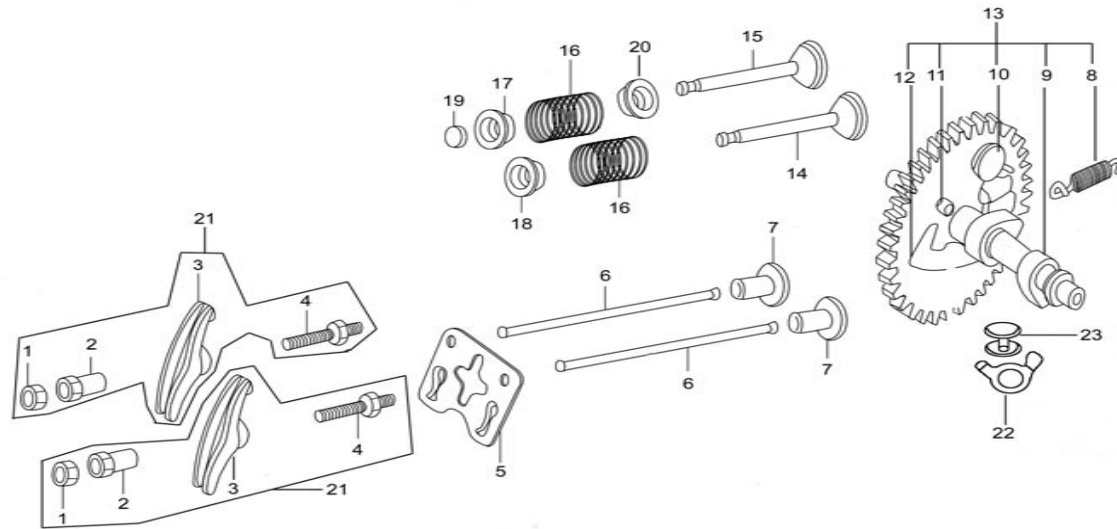
| 序号<br>S/N | 零部件代号<br>Part No. | 零部件名称   | Description          | 数量<br>Quantity | 备注<br>Remark |
|-----------|-------------------|---------|----------------------|----------------|--------------|
| 1         | 13311/190F        | 活塞环 (一) | Piston ring ( I )    | 1              |              |
| 2         | 13312/190F        | 活塞环 (二) | Piston ring ( II )   | 1              |              |
| 3         | 13322/190F        | 侧环      | Side ring            | 2              |              |
| 4         | 13321/190F        | 衬簧      | Wave ring            | 1              |              |
| 5         | 13320/190F        | 油环组合    | Scrapper ring set    | 1              |              |
| 6         | 13211/190F        | 活塞      | Piston               | 1              |              |
| 7         | 13221/188F        | 活塞销     | Piston pin           | 1              |              |
| 8         | 13130/190F        | 连杆组合    | Connecting rod Assy  | 1              |              |
| 9         | 13133/173F        | 连杆螺栓    | Bolt                 | 2              |              |
| 10        | 13222/182F        | 活塞销挡圈   | Piston pin circlip   | 2              |              |
| 11        | GB276-89          | 轴承 6207 | Bearing 6207         | 1              |              |
| 12        | 13118/173F        | 半圆键     | Woodruff key         | 1              |              |
| 13        | 25111/182F        | 调速主动齿轮  | Drive gear           | 1              |              |
| 14        | 14211/182F        | 正时主动齿轮  | Timing driving gear  | 1              |              |
| 15        | 13110             | 曲轴组合    | Crankshaft sets      | 1              |              |
| 16        | 13611/190F        | 平衡轴     | Balancing shaft      | 1              |              |
| 17        | 13131/190F        | 连杆      | Connecting rod       | 1              |              |
| 18        | 13132/190F        | 连杆盖     | Connecting rod cover | 1              |              |

### E-05 凸轮轴装配组合、气门摇臂组合 Combination of camshaft & Valve rocker



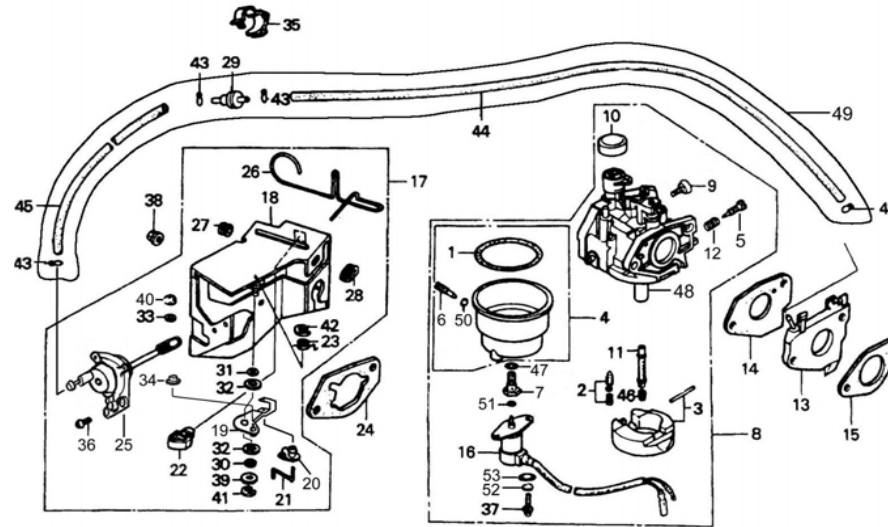
| 序号<br>S/N | 零部件代号<br>Part No. | 零部件名称    | Description                  | 数量<br>Quantity | 备注<br>Remark |
|-----------|-------------------|----------|------------------------------|----------------|--------------|
| 1         | 14416/173F        | 气门间隙调节螺母 | Lock nut                     | 2              |              |
| 2         | 14413/173F        | 摇臂轴座销    | Sleeve                       | 2              |              |
| 3         | 14411/173F        | 气门摇臂     | Valve rocker                 | 2              |              |
| 4         | 14415/173F        | 气门间隙调节螺栓 | Adjusting bolt for valve gap | 2              |              |
| 5         | 14261/173F        | 推杆导架     | Pusher guide                 | 1              |              |
| 6         | 14250/182F        | 推杆组合     | Pusher                       | 2              |              |
| 7         | 14455/173F        | 挺柱       | Tappet                       | 2              |              |
| 8         | 14146/173F        | 飞块弹簧     | Extension spring             | 1              |              |
| 9         | 14111/190F        | 凸轮轴      | Camshaft                     | 1              |              |
| 10        | 14149/173F        | 飞块销      | Pin                          | 1              |              |
| 11        | 14118/173F        | 弹簧挂销     | Spring hang pin              | 1              |              |
| 12        | 14140/173F        | 自动减压器组件  | Auto-reductor subassembly    | 1              |              |
| 13        | 14100/190F        | 凸轮轴装配组合  | Camshaft Assy                | 1              |              |
| 14        | 14711/190F        | 进气门      | Intake valve                 | 1              |              |
| 15        | 14721/182F        | 排气门      | Exhaust valve                | 1              |              |
| 16        | 14755/173F        | 气门弹簧     | Valve spring                 | 2              |              |

### E-05 凸轮轴装配组合、气门摇臂组合 Combination of camshaft & Valve rocker



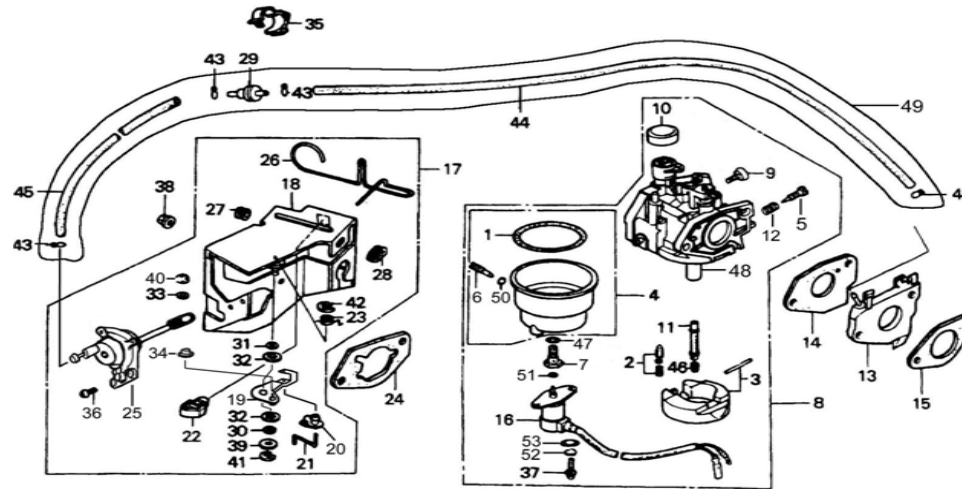
| 序号<br>S/N | 零部件代号<br>Part No. | 零部件名称    | Description                    | 数量<br>Quantity | 备注<br>Remark |
|-----------|-------------------|----------|--------------------------------|----------------|--------------|
| 17        | 14757/173F        | 排气门弹簧座   | Spring seat, exhaust valve     | 1              |              |
| 18        | 14751/173F        | 进气门弹簧座   | Spring seat, intake valve      | 1              |              |
| 19        | 14758/173F        | 排气门顶帽    | Cap, exhaust valve             | 1              |              |
| 20        | 14753/173F        | 排气门弹簧下座  | Spring retainer, exhaust valve | 1              |              |
| 21        | 14410/173F        | 气门摇臂装配组合 | Valve rocker Assy              | 2              |              |
| 22        | 14151/173F        | 限位板      | Limit position panel           | 1              |              |
| 23        | 14152/173F        | 限位板销     | Pin                            | 1              |              |

## E-06 化油器总成 Carburetor Assy



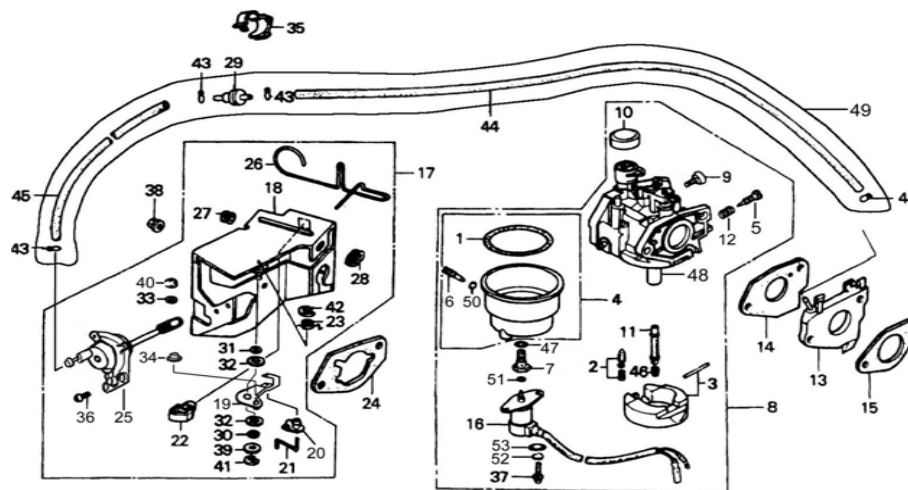
| 序号<br>S/N | 零部件代号<br>Part No. | 零部件名称     | Description                      | 数量<br>Quantity | 备注<br>Remark |
|-----------|-------------------|-----------|----------------------------------|----------------|--------------|
| 1         | 16219/173F        | 浮子室密封垫    | Gasket ,float chamber            | 1              |              |
| 2         | 16240/173F        | 浮子油针组合    | Float needle                     | 1              |              |
| 3         | 16230/173F        | 浮子组合      | Float                            | 1              |              |
| 4         | 16210/173F-AV     | 浮子室组合     | Float chamber                    | 1              |              |
| 5         | 16425/168F        | 混合比调整螺钉   | Mixture adjustment screw         | 1              |              |
| 6         | 16215/173F-AV     | 浮子室放油螺钉   | Drain screw, float chamber       | 1              |              |
| 7         | 16213/173F-AV     | 底部螺钉      | Screw                            | 1              |              |
| 8         | 16100/190F-AV     | 化油器总成     | Carburetor Assy                  | 1              |              |
| 9         | 16421/168F        | 怠速调整螺钉    | Idle adjustment screw            | 1              |              |
| 10        | 16333/173F-AV     | 阻风门防尘盖    | Dust cover, choke                | 1              |              |
| 11        | 16251/190F-AV     | 主喷油管      | Pipe, main jet                   | 1              |              |
| 12        | 16422/168F        | 混合比调整螺钉弹簧 | Spring, mixture adjustment screw | 1              |              |
| 13        | 16141/188F-AV     | 化油器接块     | Connecting block, carburetor     | 1              |              |
| 14        | 16142/188F        | 化油器垫片     | Gasket, carburetor               | 1              |              |
| 15        | 12254/182F        | 进气口垫片     | Gasket, inlet                    | 1              |              |
| 16        | 16170/173F-AV     | 化油器电磁阀    | Magnetic valve, carburetor       | 1              |              |

## E-06 化油器总成 Carburetor Assy



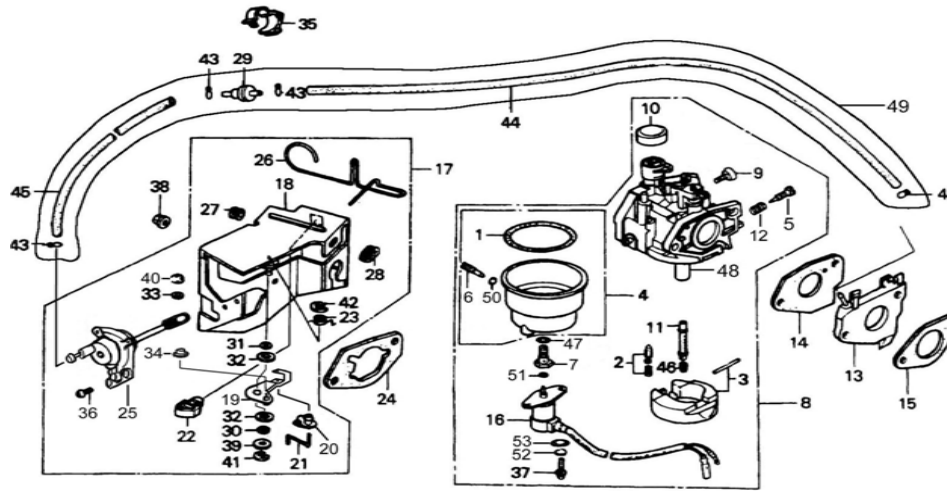
| 序号<br>S/N | 零部件代号<br>Part No. | 零部件名称    | Description                  | 数量<br>Quantity | 备注<br>Remark |
|-----------|-------------------|----------|------------------------------|----------------|--------------|
| 17        | 16300/182F-AV     | 手动阻风门总成  | Manual choke Assy            | 1              |              |
| 18        | 16310/173F-AV     | 支架组件     | Bracket                      | 1              |              |
| 19        | 16320/173F-AV     | 阻风门控制杆   | Choke lever                  | 1              |              |
| 20        | 16334/173F-AV     | 阻风门轴接头   | Joint, choke stem            | 1              |              |
| 21        | 16332/173F-AV     | 阻风门轴     | Choke stem                   | 1              |              |
| 22        | 16335/173F-AV     | 阻风门止推块   | Stopper, choke rod           | 1              |              |
| 23        | 16338/173F-AV     | 阻风门弹簧    | Spring, choke                | 1              |              |
| 24        | 17330/173F-AV     | 空滤器垫片    | Gasket, air cleaner          | 1              |              |
| 25        | 16410/173F-AV     | 阻风门调节阀   | Regulation valve, choke      | 1              |              |
| 26        | 16324/182F-AV     | 阻风门拉杆    | Tie rod, choke               | 1              |              |
| 27        | 16325/173F-AV     | 阻风门拉杆胶垫一 | Rubber washer, choke lever 1 | 1              |              |
| 28        | 16326/173F-AV     | 阻风门拉杆胶垫二 | Rubber washer, choke lever 2 | 1              |              |
| 29        | 17420/173F-AV     | 单向阀      | Check valve                  | 1              |              |
| 30        | 16384/173F-AV     | 垫圈一      | Washer 1                     | 1              |              |
| 31        | 16385/173F-AV     | 垫圈二      | Washer 2                     | 1              |              |
| 32        | 16383/173F-AV     | 密封垫      | Packing ring                 | 2              |              |
| 33        | 16386/173F-AV     | 垫圈三      | Washer 3                     | 1              |              |

## E-06 化油器总成 Carburetor Assy



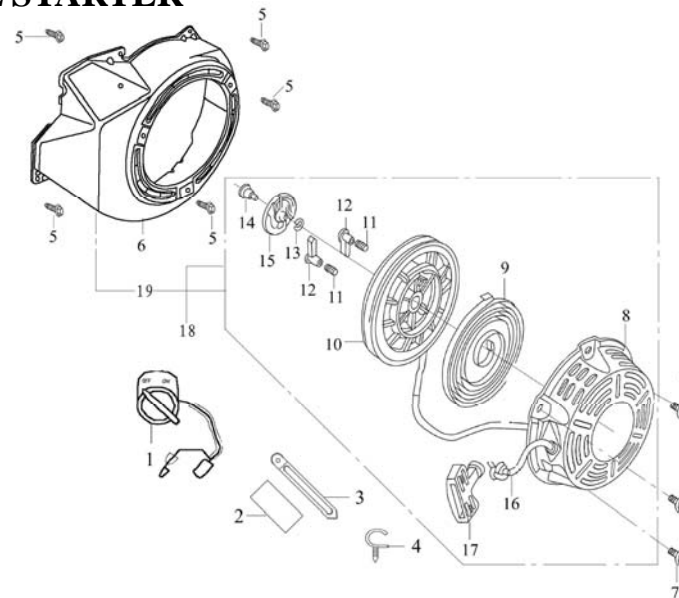
| 序号<br>S/N | 零部件代号<br>Part No. | 零部件名称     | Description          | 数量<br>Quantity | 备注<br>Remark |
|-----------|-------------------|-----------|----------------------|----------------|--------------|
| 34        | 16387/173F-AV     | 垫圈四       | Washer 4             | 1              |              |
| 35        | 32215/173F-AV     | 单向阀固定卡    | Clamp, check valve   | 1              |              |
| 36        | GB818-85          | 螺钉 M5×12  | Screw M5×12          | 2              |              |
| 37        | GB818-85          | 螺钉 M5×12  | Screw M5×12          | 2              |              |
| 38        | GB6177-88         | 螺母 M6     | Nut M6               | 2              |              |
| 39        | GB96-85           | 平垫 5      | Flat washer 5mm      | 1              |              |
| 40        | GB896-86          | 开口挡圈 2mm  | Washer 2mm           | 1              |              |
| 41        | GB896-86          | 开口挡圈 4mm  | Washer 4mm           | 1              |              |
| 42        | GB896-86          | 开口挡圈 7mm  | Washer 7mm           | 1              |              |
| 43        | 16937/168F        | 油管夹       | Tube clip            | 4              |              |
| 44        | 17414/173F-AV     | 橡胶管 A     | Hose A               | 1              |              |
| 45        | 17415/173F-AV     | 橡胶管 B     | Hose B               | 1              |              |
| 46        | 16254/190F-AV     | 主喷油嘴      | Main metering jet    | 1              |              |
| 47        | 16214/173F-AV     | 底部螺钉密封垫   | Gasket, screw        | 1              |              |
| 48        | 16250/188F-AV     | 化油器混合室体   | Mixture chamber body | 1              |              |
| 49        | 17410/173F-AV     | 单向阀总成     | Check valve Assy     | 1              |              |
| 50        | 16216/173F-AV     | 浮子室放油螺钉垫圈 | Washer, plug         | 1              |              |

### E-06 化油器总成 Carburetor Assy



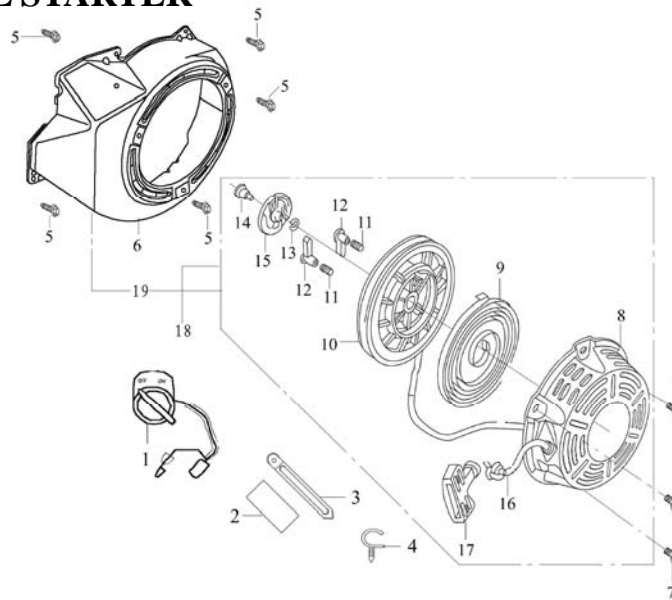
| 序号<br>S/N | 零部件代号<br>Part No. | 零部件名称     | Description                       | 数量<br>Quantity | 备注<br>Remark |
|-----------|-------------------|-----------|-----------------------------------|----------------|--------------|
| 51        | 16176/173F-AV     | 化油器电磁阀密封垫 | Gasket, carburetor magnetic valve | 1              |              |
| 52        | GB93-87           | 弹垫 5      | Spring washer 5mm                 | 2              |              |
| 53        | GB97.1-85         | 平垫 5      | Flat washer 5mm                   | 2              |              |

### E-10 反冲起动器部件 RECOIL STARTER



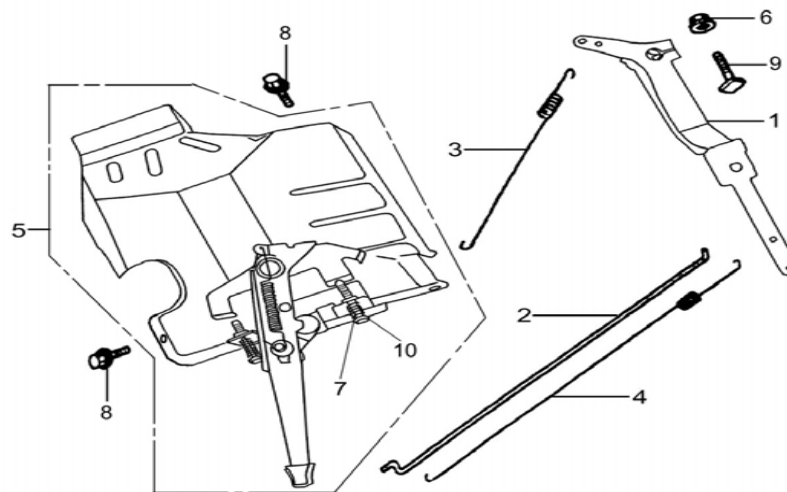
| 序号<br>S/N | 零部件代号<br>Part No | 零部件名称    | Description     | 数量<br>Quantity | 备注<br>Remark |
|-----------|------------------|----------|-----------------|----------------|--------------|
| 1         | 35410/168F       | 点火开关     | Engine switch   | 1              |              |
| 2         | 32412/173F       | 护线套      | Wire grommet    | 1              |              |
| 3         | 32413/173F       | 线卡       | Clip            | 1              |              |
| 4         | 16146/173F       | 塑料管夹     | Plastic clip    | 1              |              |
| 5         | GB5787-86        | 螺栓 M6×12 | Bolt M6×12      | 5              |              |
| 6         | 19710/182F       | 风扇罩组件    | Fan hood assy   | 1              |              |
| 7         | GB5787-86        | 螺栓 M6×8  | Bolt M6×8       | 3              |              |
| 8         | 27380/182F       | 外壳组件     | Casing          | 1              |              |
| 9         | 27319/182F       | 盘簧       | Spiral spring   | 1              |              |
| 10        | 27351/182F       | 起动器卷轴    | Starter rolls   | 1              |              |
| 11        | 27312/173F       | 棘爪弹簧     | Ratchet spring  | 2              |              |
| 12        | 27331/173F       | 棘爪       | Ratchet         | 2              |              |
| 13        | 27311/173F       | 摩擦弹簧     | Friction spring | 1              |              |
| 14        | 27315/173F       | 轴位螺钉     | Set screw       | 1              |              |

E-10 反冲起动器部件 RECOIL STARTER



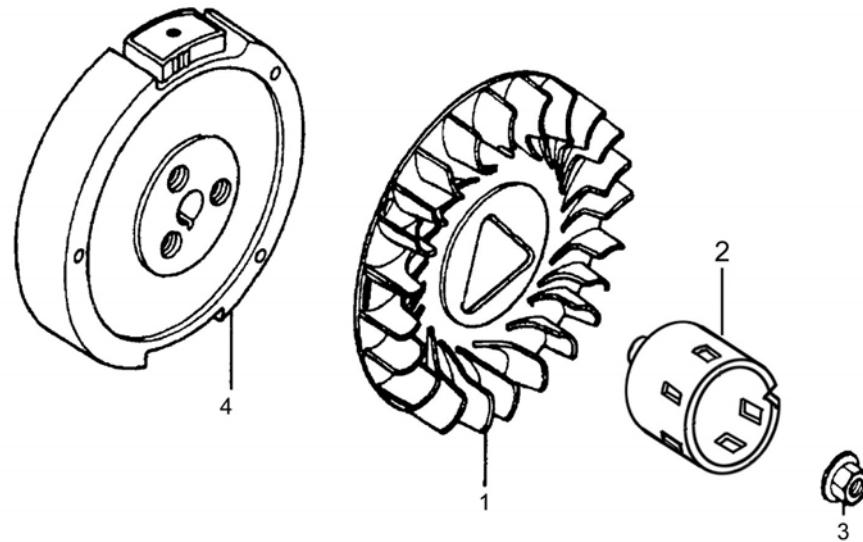
| 序号<br>S/N | 零部件代号<br>Part No | 零部件名称   | Description         | 数量<br>Quantity | 备注<br>Remark |
|-----------|------------------|---------|---------------------|----------------|--------------|
| 15        | 27341/173F       | 弹簧盖     | Spring lid          | 1              |              |
| 16        | 27313/168F       | 拉绳      | Rope                | 1              |              |
| 17        | 27361/168F       | 拉手      | Pulling handle      | 1              |              |
| 18        | 27300/182F       | 反冲起动器   | Recoil starter      | 1              |              |
| 19        | 27100/182F       | 反冲起动器总成 | Recoil starter assy | 1              |              |

### E-08 调速控制系统 Regulating control system



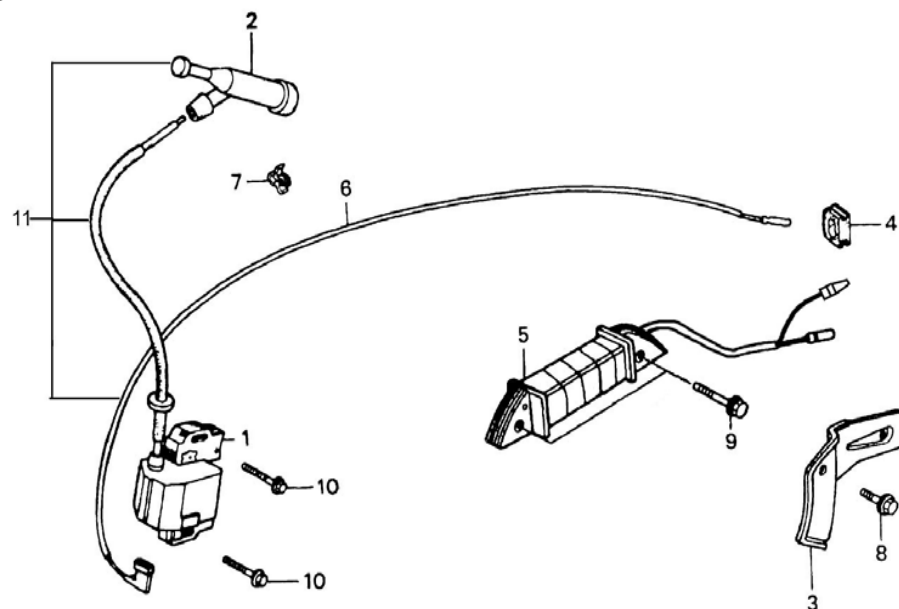
| 序号<br>Ref.No. | 零部件代号<br>Part No. | 零部件名称    | Description            | 数量<br>Quantity | 备注<br>Remark |
|---------------|-------------------|----------|------------------------|----------------|--------------|
| 1             | 26330/188F-BV     | 调速臂组件    | Regulating arm set     | 1              |              |
| 2             | 26341/182F        | 调速拉杆     | Pulling rod            | 1              |              |
| 3             | 26363/182F        | 复位拉簧     | Back spring            | 1              |              |
| 4             | 26364/188F-BV     | 微调速弹簧    | Fine regulating spring | 1              |              |
| 5             | 26420/188F-BV     | 调速支撑板组件  | Supporting plate set   | 1              |              |
| 6             | GB6177-86         | 螺母 M6    | Nut M6                 | 1              |              |
| 7             | 26415/168F        | 调速弹簧     | Regulating spring      | 2              |              |
| 8             | GB5787-86         | 螺栓 M6×12 | Bolt M6×12             | 2              |              |
| 9             | 26362/168F        | 调速臂紧固螺栓  | Lock bolt              | 1              |              |
| 10            | GB818-85-H        | 螺钉 M5×30 | Screw M5×30            | 2              |              |

E-09 飞轮部件 Flywheel



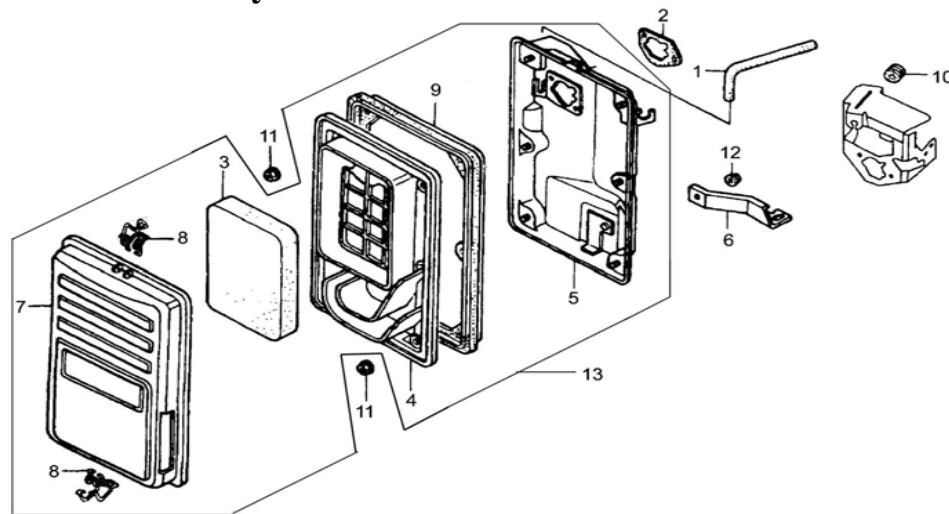
| 序号<br>Ref.No. | 零部件代号<br>Part No. | 零部件名称         | Description     | 数量<br>Quantity | 备注<br>Remark |
|---------------|-------------------|---------------|-----------------|----------------|--------------|
| 1             | 19722/182F        | 飞轮风扇          | Flywheel fan    | 1              |              |
| 2             | 27371/182F        | 起动套           | Starting flange | 1              |              |
| 3             | 27515/173F        | 飞轮螺母 M16×1.25 | Nut M16×1.25    | 1              |              |
| 4             | 27500             | 飞轮组件          | Flywheel        | 1              |              |

### E-10 点火线圈组件 Ignition coil



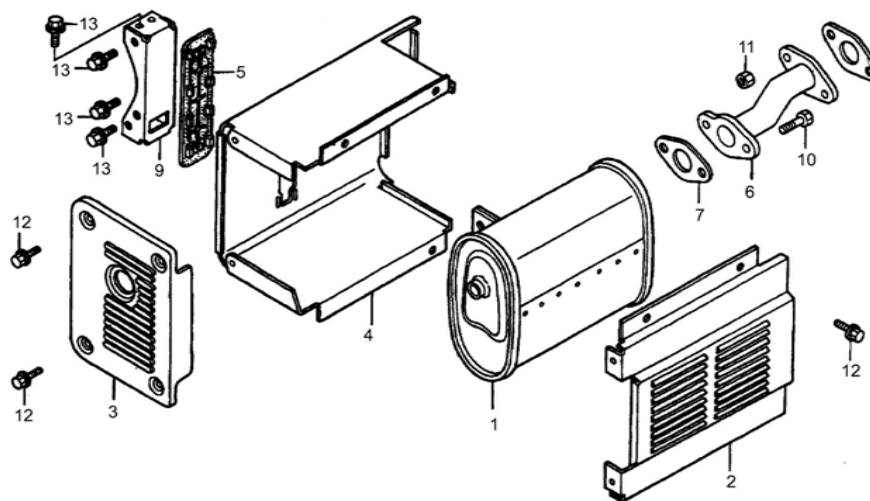
| 序号<br>Ref.No. | 零部件代号<br>Part No. | 零部件名称    | Description            | 数量<br>Quantity | 备注<br>Remark |
|---------------|-------------------|----------|------------------------|----------------|--------------|
| 1             | 34510/182F        | 点火线圈     | Ignition coil          | 1              |              |
| 2             | 34310/173F        | 火花塞帽     | Spark plug cap         | 1              |              |
| 3             | 32213/182F-AS     | 压线板      | Clamper, cord          | 1              |              |
| 4             | 11124/173F        | 曲轴箱橡胶圈   | Rubber ring, crankcase | 1              |              |
| 5             | 31270/188F-BV     | 励磁定子组件   | Stator, excitation     | 1              |              |
| 6             | 34410/182F        | 熄火线      | Extinguishing cable    | 1              |              |
| 7             | 32212/173F        | 线夹       | Cable tie              | 1              |              |
| 8             | GB5787-86         | 螺栓 M6×12 | Bolt M6×12             | 1              |              |
| 9             | GB5787-86         | 螺栓 M6×35 | Bolt M6×35             | 2              |              |
| 10            | GB5787-86         | 螺栓 M6×30 | Bolt M6×30             | 2              |              |
| 11            | 34500/182F        | 点火线圈组件   | Ignition coil unit     | 1              |              |

### E-11 空气滤清器总成 Air cleaner Assy



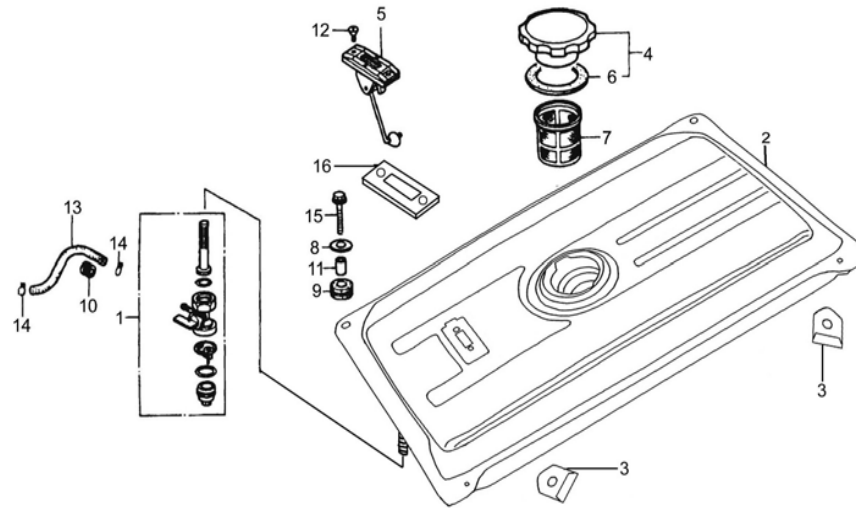
| 序号<br>Ref.No. | 零部件代号<br>Part No. | 零部件名称   | Description              | 数量<br>Quantity | 备注<br>Remark |
|---------------|-------------------|---------|--------------------------|----------------|--------------|
| 1             | 20651/173F-AV     | 通气管     | Air duck                 | 1              |              |
| 2             | 17330/173F-AV     | 空滤器垫片   | Gasket, air cleaner      | 1              |              |
| 3             | 17132/173F-AV     | 滤芯      | Filter element           | 1              |              |
| 4             | 17183/173F-AV     | 滤芯支承架   | Retainer, filter element | 1              |              |
| 5             | 17141/173F-AV     | 空滤器底盖   | Air cleaner case         | 1              |              |
| 6             | 17171/4GF-3       | 空滤器支架   | Air cleaner stay         | 1              |              |
| 7             | 17110/173F-AV     | 空滤器盖组件  | Air cleaner cover        | 1              |              |
| 8             | 17160/173F-AV     | 铰链组件    | Hinge                    | 2              |              |
| 9             | 17145/173F-AV     | 密封圈     | Gasket                   | 1              |              |
| 10            | 20652/173F-AV     | 通气管护套   | Boot, vent pipe          | 1              |              |
| 11            | GB6177-86         | 螺母 M5   | Nut M5                   | 6              |              |
| 12            | GB6177-86         | 螺母 M6   | Nut M6                   | 1              |              |
| 13            | 17100/173F-AV     | 空气滤清器总成 | Air cleaner Assy         | 1              |              |

### E-12 消声器组件 Muffler Assy



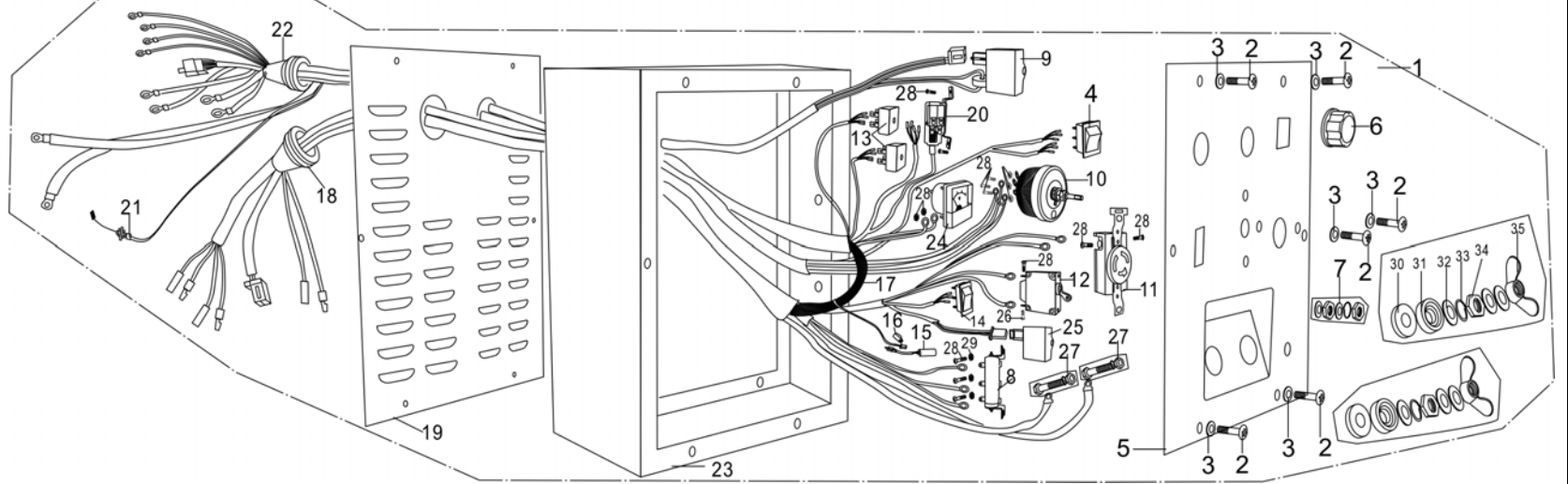
| 序号<br>S/N | 零部件代号<br>Part No. | 零部件名称    | Description          | 数量<br>Quantity | 备注<br>Remark |
|-----------|-------------------|----------|----------------------|----------------|--------------|
| 1         | 18300/182F-AV     | 消声器      | Muffler              | 1              |              |
|           | 18300/188F-AV     | 消声器      | Muffler              | 1              |              |
| 2         | 18620/2. 8GF-3    | 消声器外罩组合  | Outer hood           | 1              |              |
| 3         | 18631/2. 8GF-3    | 消声器侧保护板  | Side hood            | 1              |              |
| 4         | 18610/4GF-3       | 消声器内罩组合  | Inner hood           | 1              |              |
|           | 18610/5GF-3       | 消声器内罩组合  | Inner hood           | 1              |              |
| 5         | 18615/2. 8GF-3    | 消声器内罩密封垫 | Gasket, inner hood   | 1              |              |
| 6         | 18111/182F-AV     | 排气管      | Exhaust pipe         | 1              |              |
| 7         | 18221/173F-AV     | 消声器垫片    | Gasket, exhaust pipe | 1              |              |
| 8         | 12255/173F        | 排气口垫片    | Gasket, outlet       | 1              |              |
| 9         | 18710/2. 8GF-3    | 消声器安装支架  | Stay, muffler        | 1              |              |
| 10        | GB5787-86         | 螺栓 M8×25 | Flange bolt, M8×25   | 2              |              |
| 11        | GB6187-86         | 螺母 M8    | Nut, M8              | 2              |              |
| 12        | GB5787-86         | 螺栓 M6×12 | Flange bolt, M6×12   | 7              |              |
| 13        | GB5787-86         | 螺栓 M8×16 | Flange bolt, M8×16   | 4              |              |

### E-13 燃油箱组成 Fuel tank Assy



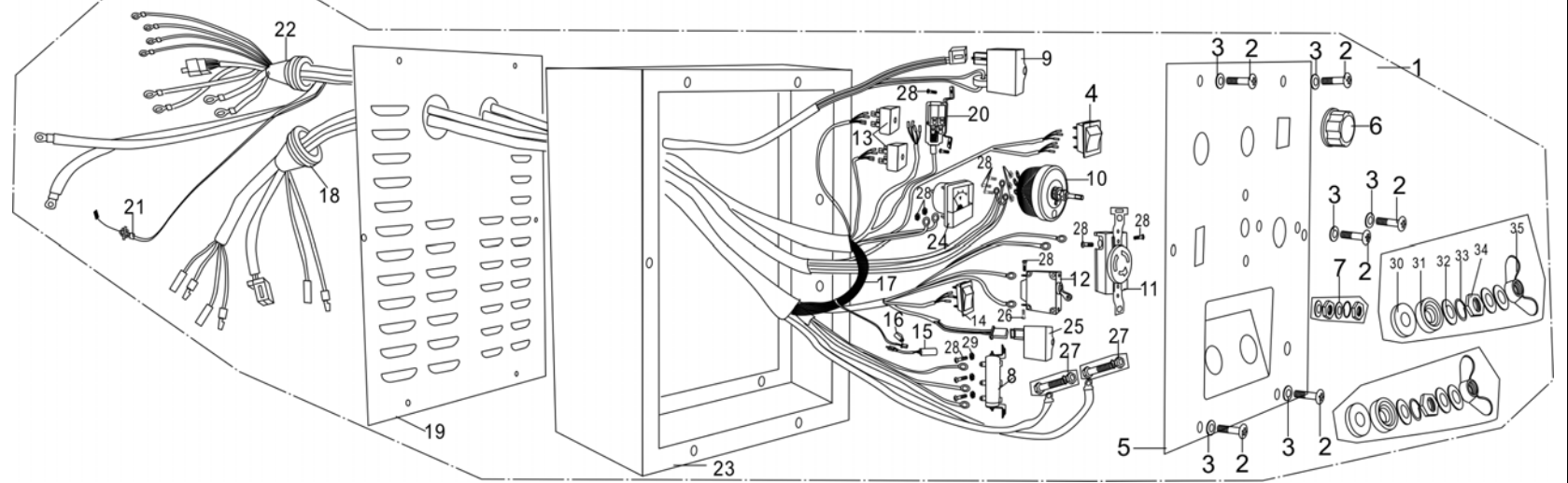
| 序号<br>Ref.No. | 零部件代号<br>Part No. | 零部件名称             | Description               | 数量<br>Quantity | 备注<br>Remark |
|---------------|-------------------|-------------------|---------------------------|----------------|--------------|
| 1             | 16930/2GF-3       | 燃油开关              | Fuel cock                 | 1              |              |
| 2             | 16610             | 燃油箱组件             | Fuel tank                 | 1              |              |
| 3             | 16814             | 油箱减震块             | Damping pad, fuel tank    | 2              |              |
| 4             | 16500/2GF-3       | 燃油箱盖组合            | Fuel filler cap comp.     | 1              |              |
| 5             | 37820/2GF-3       | 燃油传感器             | Fuel sensor               | 1              |              |
| 6             | 16521/2GF-3       | 燃油箱盖密封圈           | Packing ring              | 1              |              |
| 7             | 16916/2GF-3       | 过滤杯               | Fuel filler               | 1              |              |
| 8             | 16821/2GF-3       | 垫圈                | Washer                    | 2              |              |
| 9             | 16811/2GF-3       | 油箱减震垫             | Cushion                   | 2              |              |
| 10            | 16933/2. 8GF-3    | 油管保护套             | Grommet                   | 1              |              |
| 11            | 16824/2GF-3       | 油箱安装衬套            | Fitting brush, fuel tank  | 2              |              |
| 12            | GB819-85          | 螺钉 M5×10          | Screw M5×10               | 2              |              |
| 13            | 16931/2. 8GF-3    | 出油管 (φ9×φ4.5×160) | Outlet pipe (φ9×φ4.5×160) | 1              |              |
| 14            | 16937/168F        | 油管夹               | Tube clip                 | 2              |              |
| 15            | GB5787-86         | 螺栓 M6×22          | Flange bolt M6×22         | 2              |              |
| 16            | 37825/2GF-3       | 燃油传感器密封垫          | Gasket, fuel sensor       | 1              |              |

### G-01 控制面板部件 Control pane



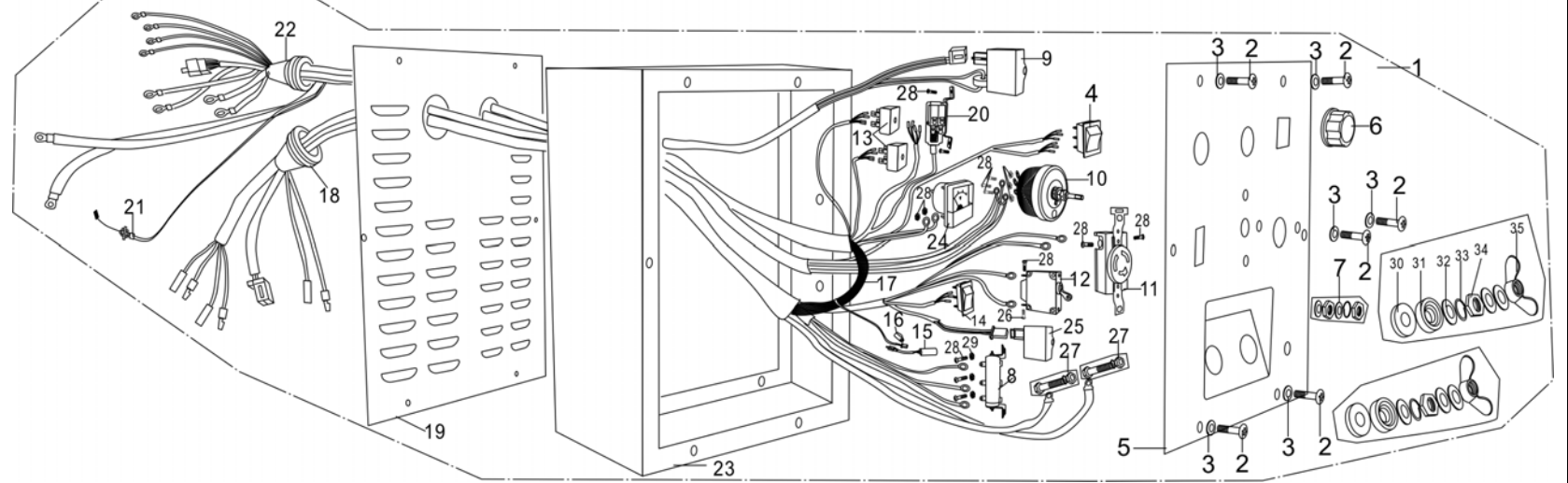
| 序号<br>S/N | 零部件代号<br>Part No. | 零部件名称     | Description            | 数量<br>Quantity | 备注<br>Remark |
|-----------|-------------------|-----------|------------------------|----------------|--------------|
| 1         | 37300             | 控制面板总成    | Control panel Assy     | 1              |              |
| 2         | GB5787-86         | 螺栓 M6×40  | Bolt M6×40             | 3              |              |
| 3         | GB97.1-85         | 平垫片 6     | Flat washer 6mm        | 5              |              |
| 4         | 35410/2.8GF-3     | 点火开关      | Ignition switch        | 1              |              |
| 5         | 37310             | 控制面板      | Control panel          | 1              |              |
| 6         | 37437             | 电流调节旋钮    | Adjusting knob         | 1              |              |
| 7         | 32520             | 接地端子      | Earth terminal set     | 1              |              |
| 8         | 37450             | 磁管固定电阻    | Fixed resistor         | 1              |              |
| 9         | 37510             | 控制器       | Controller             | 1              |              |
| 10        | 37430             | 磁盘变阻器     | Rheostat               | 1              |              |
| 11        | 35510/2GF-3       | 插座 (30A)  | Consent (30A)          | 1              |              |
| 12        | 31710/2.8GF-3     | 断路器 (13A) | Circuit protector, 13A | 1              |              |

## G-01 控制面板部件 Control panel



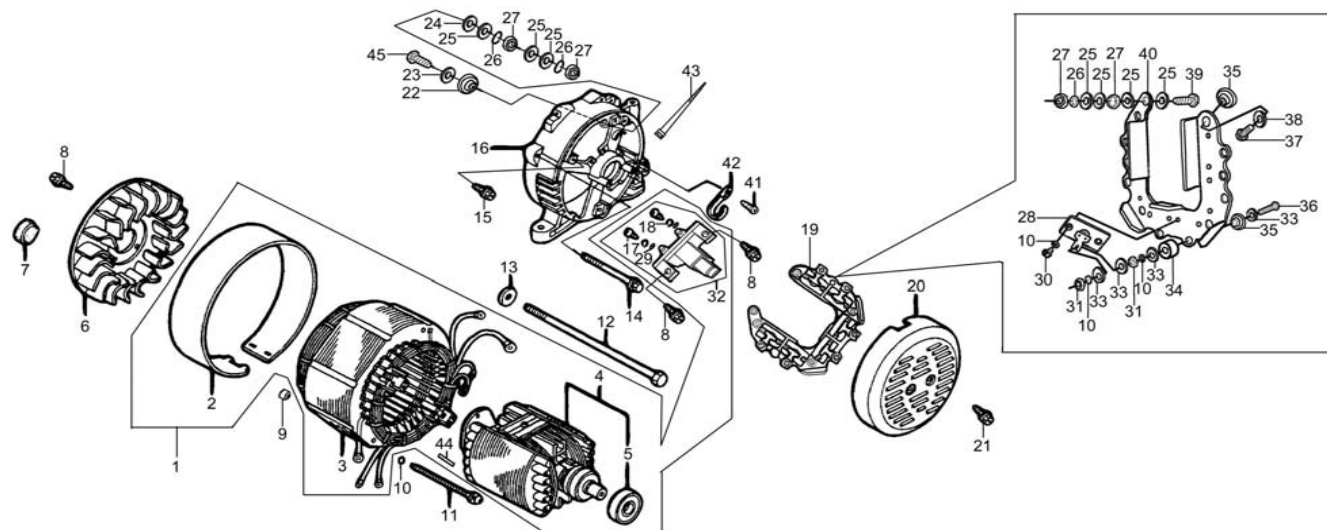
| 序号<br>S/N | 零部件代号<br>Part No. | 零部件名称              | Description            | 数量<br>Quantity | 备注<br>Remark |
|-----------|-------------------|--------------------|------------------------|----------------|--------------|
| 13        | 37560             | 整流器                | Rectifier              | 2              |              |
| 14        | 35450             | 自动截流开关             | Cutoff switch          | 1              |              |
| 15        | C (KMG 105°C)     | 电容 (100V 2200 μ F) | Capacitor              | 1              |              |
| 16        | 32219             | 塑料固定带              | Plastic clamp          | 1              |              |
| 17        | 32100             | 主线束                | Main wire harness Assy | 1              |              |
| 18        | 32314/2. 8GF-3    | 开关线护套              | Boot, switch wire      | 1              |              |
| 19        | 37321             | 后盖                 | Rear cover             | 1              |              |
| 20        | 35440             | 电压转换开关             | Selector               | 1              |              |
| 21        | 35460             | 电压转换开关拉索           | Cable, selector        | 1              |              |
| 22        | 32115/2. 8GF-3    | 交流输出线护套            | Boot, AC output wire   | 1              |              |
| 23        | 37322             | 壳体                 | Crust                  | 1              |              |
| 24        | 37420/2GF-3       | 电压表                | Voltmeter              | 1              |              |

## G-01 控制面板部件 Control panel



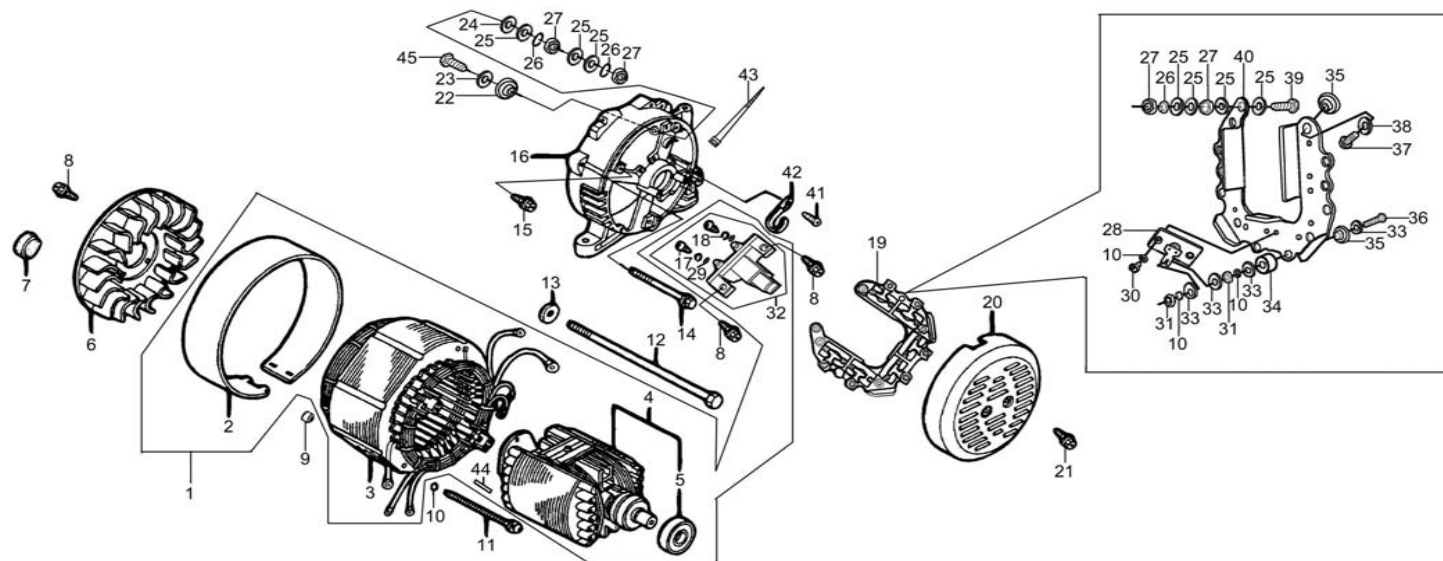
| 序号<br>S/N | 零部件代号<br>Part No. | 零部件名称            | Description                  | 数量<br>Quantity | 备注<br>Remark |
|-----------|-------------------|------------------|------------------------------|----------------|--------------|
| 25        | 37570             | 二极管组件            | Rectifier                    | 1              |              |
| 26        | GB818-85          | 螺钉 M4×8          | Screw M4×8                   | 1              |              |
| 27        |                   | 方头螺栓 M10×50 (铜)  | Bolt M10×50                  | 2              |              |
| 28        | GB6170-86         | 螺母 M5            | Nut M5                       | 4              |              |
| 29        | GB97.1-85         | 平垫片 5            | Flat washer 5mm              | 6              |              |
| 30        | 37327             | 绝缘座              | Insulating seat              | 2              |              |
| 31        | 37328             | 绝缘圈              | Insulating washer            | 2              |              |
| 32        | GB97.1-85         | 平垫片 10 (厚 1.2 铜) | Flat washer 10(δ=1.2 copper) | 6              |              |
| 33        | GB93-87           | 弹垫 10            | Spring washer 10             | 2              |              |
| 34        | GB6170-86         | 螺母 M10 (铜)       | Nut M10(copper)              | 2              |              |
| 35        | GB62-88           | 蝶形螺母 M10 (铜)     | Wing nut M10(copper)         | 2              |              |

## G-02 发电机、整流盘 Generator & Rectifier



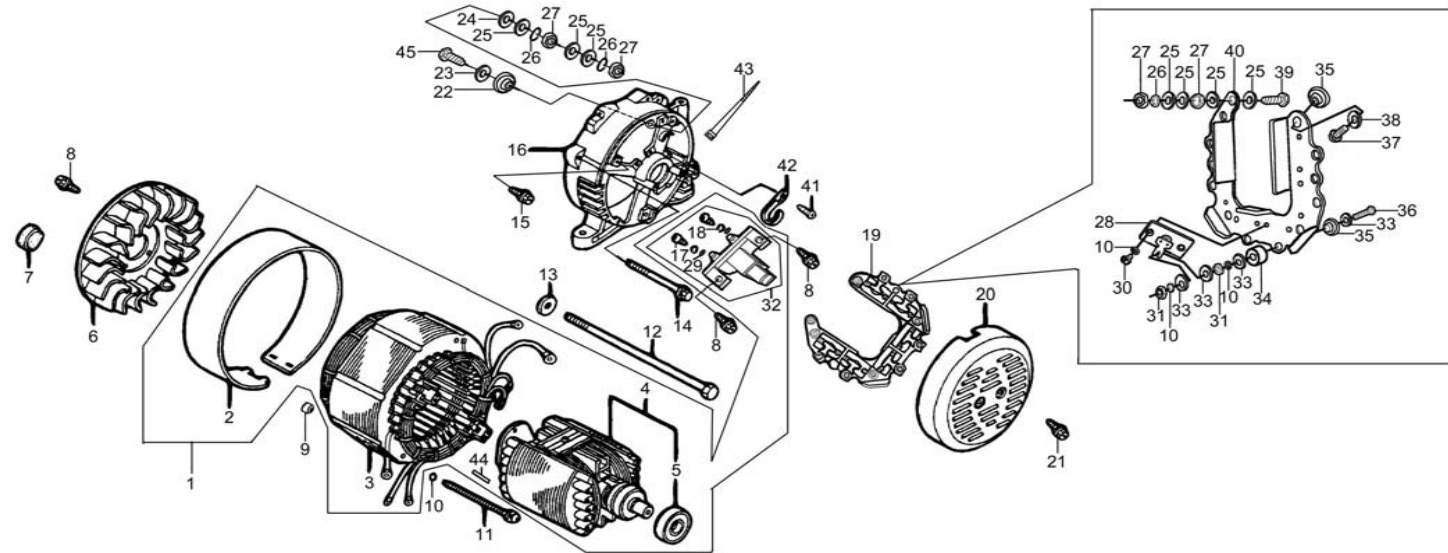
| 序号<br>S/N | 零部件代号<br>Part No. | 零部件名称          | Description         | 数量<br>Quantity | 备注<br>Remark |
|-----------|-------------------|----------------|---------------------|----------------|--------------|
| 1         | 30100             | 定转子总成          | Stator & rotor Assy | 1              |              |
| 2         | 31936/5GF-3       | 定子外罩           | Stator cover        | 1              |              |
| 3         | 31200             | 定子总成           | Stator Assy         | 1              |              |
| 4         | 31100             | 转子总成           | Rotor Assy          | 1              |              |
| 5         | GB276-94          | 轴承 6205-2ZN    | Bearing 6205-2ZN    | 1              |              |
| 6         | 31141/2. 8GF-3    | 电机风扇           | Generator fan       | 1              |              |
| 7         | 11325/2. 8GF-3    | 曲轴箱盖堵头         | Plug, sump          | 1              |              |
| 8         | 31996/2GF-3       | 十字六角带盘螺栓 M5×14 | Tapping screw M5×14 | 5              |              |
| 9         | 31932/2. 8GF-3    | 定子紧固螺母 M5      | Nut M5              | 2              |              |
| 10        | GB93-87           | 弹垫 5           | Spring washer 5mm   | 28             |              |
| 11        | 31414             | 定子连接螺栓 M5×219  | Bolt M5×219         | 2              |              |
| 12        | 31933             | 转子固定螺栓 M10×283 | Bolt M10×283        | 1              |              |
| 13        | 31134/2. 8GF-3    | 垫圈             | Plain washer        | 1              |              |
| 14        | 31931/5GF-3       | 定子紧固螺栓 M6×175  | Bolt M6×175         | 4              |              |
| 15        | 31995/2GF-3       | 十字六角带盘螺栓 M5×12 | Tapping screw M5×12 | 1              |              |

## G-02 发电机、整流盘 Generator & Rectifier



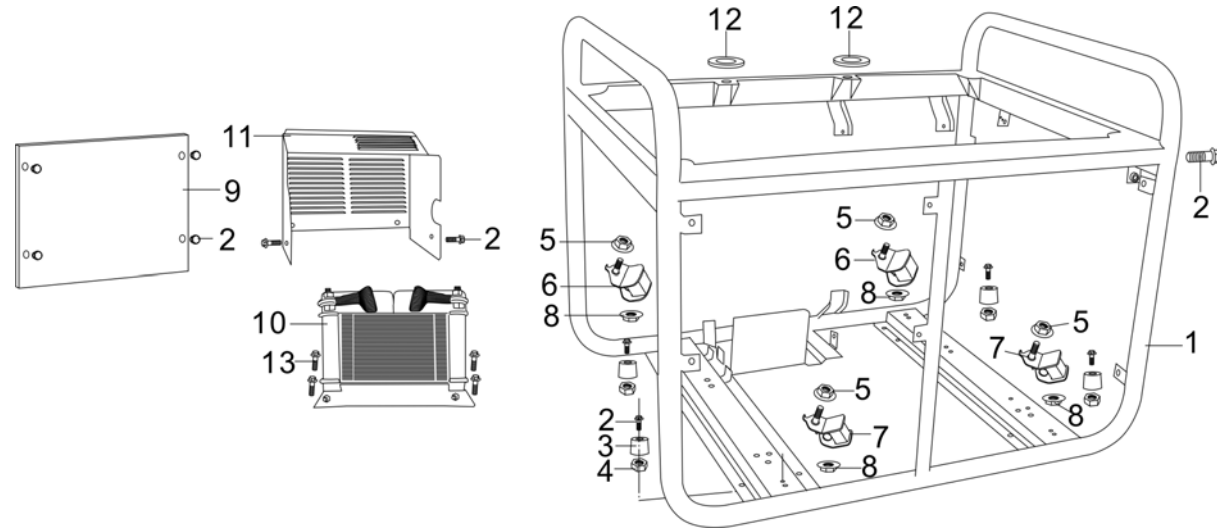
| 序号<br>S/N | 零部件代号<br>Part No. | 零部件名称            | Description                | 数量<br>Quantity | 备注<br>Remark |
|-----------|-------------------|------------------|----------------------------|----------------|--------------|
| 16        | 31420             | 电机座组件            | Generator stay comp.       | 1              |              |
| 17        | GB818-85          | 螺钉 M4×10         | Screw M4×10                | 2              |              |
| 18        | GB93-87           | 弹垫 4             | Spring washer 4mm          | 2              |              |
| 19        | 31330             | 整流盘组件            | Rectifier                  | 1              |              |
| 20        | 31938             | 电机后盖             | Generator end cover        | 1              |              |
| 21        | 31994             | 十字六角带盘螺栓 M5×8    | Tapping screw M5×8         | 2              |              |
| 22        | 32511             | 负极绝缘座            | Insulating sear, negative  | 1              |              |
| 23        | GB96-85           | 垫圈 6             | Washer 6mm                 | 1              |              |
| 24        | 32512             | 负极绝缘片            | Insulating piece, negative | 1              |              |
| 25        | GB97.1-85         | 垫圈 6             | Washer 6mm                 | 7              |              |
| 26        | GB93-87           | 弹垫 6             | Spring washer 6mm          | 3              |              |
| 27        | GB6174-86         | 螺母 M6            | Nut M6                     | 4              |              |
| 28        | 2ZC100            | 二极管 (100A, 500V) | Diode comp.                | 6              |              |
| 29        | GB97.1-85         | 垫圈 4             | Washer 4mm                 | 2              |              |
| 30        | GB818-85          | 螺钉 M5×10         | Screw M5×10                | 12             |              |

## G-02 发电机、整流盘 Generator & Rectifier



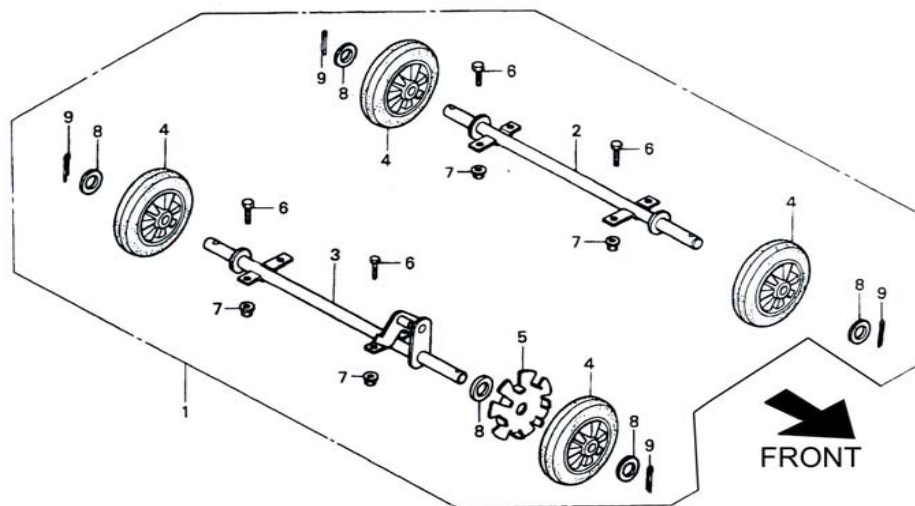
| 序号<br>S/N | 零部件代号<br>Part No. | 零部件名称          | Description             | 数量<br>Quantity | 备注<br>Remark |
|-----------|-------------------|----------------|-------------------------|----------------|--------------|
| 31        | GB6170-86         | 螺母 M5          | Nut M5                  | 14             |              |
| 34        | 31337             | 绝缘柱            | Brush Assy              | 1              |              |
| 32        | 31370             | 电刷组件           | Washer 5mm              | 28             |              |
| 33        | GB96-85           | 垫圈 5           | Insulator               | 7              |              |
| 35        | 31335             | 绝缘垫一           | Insulator I             | 11             |              |
| 36        | GB5783-86         | 螺栓 M5×35       | Screw M5×35             | 7              |              |
| 37        | 31997/2. 8GF-3    | 十字六角带盘螺栓 M5×18 | Tapping screw M5×18     | 4              |              |
| 38        | 31336             | 绝缘垫二           | Insulator II            | 4              |              |
| 39        | GB5783-86         | 螺栓 M6×20       | Screw M6×20             | 1              |              |
| 40        | 31331             | 电焊机整流板         | Rectifier plate, welder | 1              |              |
| 41        | GB818-85          | 螺钉 M4×12       | Screw M4×12             | 1              |              |
| 42        | 32216/2. 8GF-3    | 线夹 A           | Clip A                  | 1              |              |
| 43        | 32214/2. 8GF-3    | 扎带             | Wire clamp              | 1              |              |
| 44        | 31944             | 绝缘套管           | Insulating tube         | 2              |              |
| 45        | GB5783-86         | 螺栓 M6×32       | Screw M6×32             | 1              |              |

### G-03 机架、电抗器 Frame & Reacto



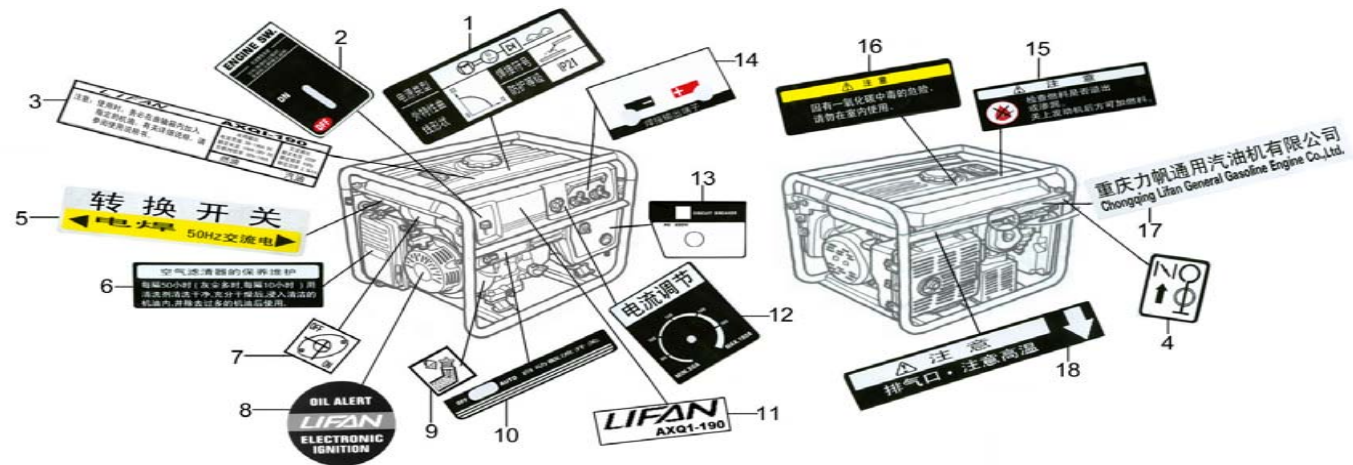
| 序号<br>S/N | 零部件代号<br>Part No. | 零部件名称    | Description                  | 数量<br>Quantity | 备注<br>Remark |
|-----------|-------------------|----------|------------------------------|----------------|--------------|
| 1         | 41100             | 机架组件     | Frame comp.                  | 1              |              |
| 2         | GB5787-86         | 螺栓 M6×12 | Flange bolt M6×12            | 16             |              |
| 3         | 41350             | 机架减震垫    | Cushion, frame               | 4              |              |
| 4         | GB802-88          | 螺母 M6    | Nut M6                       | 4              |              |
| 5         | GB6177-86         | 螺母 M10   | Nut M10                      | 4              |              |
| 6         | 41310/4GF-3       | 橡胶垫 A    | Bottom rubber A              | 2              |              |
| 7         | 41320/2GF-3       | 橡胶垫 B    | Bottom rubber B              | 2              |              |
| 8         | GB6177-86         | 螺母 M8    | Nut M8                       | 4              |              |
| 9         | 41118             | 前挡板      | Front repelling board        | 1              |              |
| 10        | 31310             | 电抗器      | Reactor                      | 1              |              |
| 11        | 31950             | 电抗器外罩组件  | Outer hood sub-assy, reactor | 1              |              |
| 12        | 41116/2GF-3       | 机架胶垫     | Rubber pad, frame            | 2              |              |
| 13        | GB5787-86         | 螺栓 M8×16 | Flange bolt M8×16            | 4              |              |

### G-04 车轮组件 Wheel kit Assy



| 序号<br>Ref.No. | 零部件代号<br>Part No. | 零部件名称      | Description      | 数量<br>Quantity | 备注<br>Remark |
|---------------|-------------------|------------|------------------|----------------|--------------|
| 1             | 42000/2. 8GF-3    | 车轮部件       | Wheel kit Assy   | 1              |              |
| 2             | 42110/2. 8GF-3    | 右轮轴组件      | Wheel axel, RH   | 1              |              |
| 3             | 42120/2. 8GF-3    | 左轮轴组件      | Wheel axel, LH   | 1              |              |
| 4             | 42150/2. 8GF-3    | 车轮组件       | Wheel kit        | 4              |              |
| 5             | 42210/2. 8GF-3    | 卡盘组件       | Chuck            | 1              |              |
| 6             | GB5787-86         | 螺栓 M8×16   | Bolt M8×16       | 8              |              |
| 7             | GB6177-86         | 螺母 M8      | Screw M8         | 8              |              |
| 8             | 42251/2. 8GF-3    | 车轮挡圈       | Plain washer     | 5              |              |
| 9             | GB91-86           | 开口销 4.0×28 | Split pin 4.0×28 | 4              |              |

## G-06 标记 Labels



| 序号<br>S/N | 零部件代号<br>Part No. | 零部件名称    | Description                        | 数量<br>Quantity | 备注<br>Remark |
|-----------|-------------------|----------|------------------------------------|----------------|--------------|
| 1         | 68215             | 特性曲线贴花   | Emblem, characteristic curve       | 1              |              |
| 2         | 68127             | 熄火开关贴花   | Emblem, flameout switch            | 1              |              |
| 3         | 68232             | 铭牌贴花     | Emblem, nameplate                  | 1              |              |
| 4         | 68231/2. 8GF-3    | 阻风门开关贴花  | Emblem, choke switch               | 1              |              |
| 5         | 68122             | 电焊发电转换贴花 | Emblem, transform                  | 1              |              |
| 6         | 68223/168F        | 空滤器保养贴花  | Emblem, maintenance of air cleaner | 1              |              |
| 7         | 68233/2GF-3       | 燃油开关贴花   | Emblem, fuel cock                  | 1              |              |
| 8         | 68214/173F-AV     | 机组圆形贴花   | Emblem, starter                    | 1              |              |
| 9         | 68222/168F        | 加注机油贴花   | Emblem, adding oil                 | 1              |              |
| 10        | 68128             | 自动截流开关贴花 | Emblem, cutoff switch              | 1              |              |
| 11        | 68129             | 型号贴花     | Emblem, type                       | 1              |              |
| 12        | 68124             | 电流调节贴花   | Emblem, current control            | 1              |              |
| 13        | 68125             | 电流输出开关贴花 | Emblem, current output             | 1              |              |
| 14        | 68216             | 焊接端子贴花   | Emblem, jointing terminal          | 1              |              |
| 15        | 68211/168F        | 注意燃油贴花   | Emblem, fuel                       | 1              |              |
| 16        | 68228/168F        | 注意一氧化碳贴花 | Emblem, Notice: CO                 | 1              |              |
| 17        | 68121/2GF-3       | 公司贴花     | Label, maker                       | 1              |              |
| 18        | 68229/2GF-3       | 注意高温贴花   | Emblem, Hi-temp.                   | 1              |              |